

NEW



SITE DUMPERS | 1T_{HT}/2T_{FT}/2T_{ST}/2T_{HS}/3T_{FT}/3T_{ST}/3.5T_{ST}/6T_{FT}/6T_{ST}/9T_{FT}/10T_{FT}

Gross engine power: 15.5kW – 55kW | Payload: 1,000 – 10,000kg



BUILD QUALITY AND RELIABILITY.

THE LATEST RANGE OF JCB SITE DUMPERS IS BUILT TO COPE WITH THE RIGOURS OF THE RENTAL MARKET. AS SUCH, YOU CAN RELY ON COMPONENTS BEING TOUGH AND MANUFACTURING PROCESSES EXHAUSTIVE.

A quality process.

1 Huge amounts of expertise and innovation has gone into the new range of JCB site dumpers. They're exceptionally rugged and durable, built ready to tackle anything the rental market can throw at them.

2 State-of-the-art manufacturing processes like robot machining, precision paint technology and innovative assembly techniques help to achieve the very highest levels of build quality.

Precision machining techniques ensure high tolerances and accurate location of pins and bushes.

3 Your new JCB site dumper will have benefitted from finite element analysis and rig testing to ensure superior structural strength and durability. For further peace of mind, cold cell testing guarantees starting performance down to -15°C.



Built to last.

4 Heavy-duty damage-resistant articulated chassis and skips help your machine to withstand even the most arduous conditions.

5 These dumpers articulate and oscillate centrally, which maximises strength and reliability on even the toughest work sites.

6 Skip strength is class-leading courtesy of thick steel side walls and heavy duty steel front and base plates. Combine this with a low cost of ownership, an exceptionally tough chassis design and superior ergonomics, and it's no wonder this range is proving extremely popular for material movement and tipping on a huge variety of sites.



ULTIMATE PRODUCTIVITY.

OF COURSE, A SITE DUMPER DOESN'T JUST NEED TO BE STRONG; IT NEEDS TO BE EXTREMELY PRODUCTIVE TOO, WHICH IS WHY THIS RANGE OFFERS YOU COUNTLESS MODEL CHOICES AND INNOVATIVE FEATURES TO EXCEL IN ANY APPLICATION.

Powering it all.

1 Smaller one to two-tonne payload models can also tip into a standard refuse skip. Choose the smallest model in the range – the 1THT Hydrostatic – equip it with narrow width wheels and tyres, and you'll be able to drive through standard 1m doorways.

2 This range includes machines for all sorts of applications. One to two-tonne dumpers, for example, are ideal for cramped applications like house-building or landscaping.

High tip models are all available in a special narrow width spec which increases your access, manoeuvrability and transportation options.

3 You'll be able to move as much material per load as possible because, no matter which machine you use, it will boast a generous heaped skip capacity, a small turning circle, high-speed operation and a supremely efficient transmission package.



The JCB site dumper range spans machines with payloads of one to ten tonnes, so you can be assured of finding the perfect model for your needs.



Designed for productivity.

4 Engines throughout the range are water-cooled units incorporating an array of state-of-the-art features to maximise power, torque and economy. Superior power management helps to keep productivity and profitability levels high.

5 Folding ROPS protection means you can rest assured that your operators are as safe as can be. Not only that but the potential to lower your machine's height means transportation can be easier for larger models, and accessing tight interior spaces becomes much more straightforward for smaller ones.

6 Wheel-to-ground contact has been maximised thanks to large oscillation angles. The resulting superb traction aids off-road performance and boosts productivity still further.



4



6



In spite of benefiting from high ground clearance in order to excel off-road and remain durable at all times, these site dumpers also have a low centre of gravity for superb stability.

5

THREE TIPPING OPTIONS.

ONCE YOU'VE CHOSEN THE PAYLOAD OF YOUR MACHINE, YOU CAN CHOOSE WHAT TYPE OF DUMPER CONFIGURATION YOU WANT. JCB HAS THREE OPTIONS, EACH OFFERING ITS OWN UNIQUE ADVANTAGES.

- 1 With a front tip forward tipping skip, placing high volume materials is easy and smooth.
- 2 The high tip option can raise loads well over the standard 1.5m, offering you maximum versatility and performance when tipping into skips and over obstacles.
- 3 For the ultimate in job site versatility, swivel tip dumpers can rotate a load through 90 degrees to each side of the machine before tipping. A machine with this configuration is therefore ideal for backfilling trenches and working in confined spaces.
- 4 Available on models with payloads of two to six tonnes, the swivel tip boasts high quality slew ring bearings for the ultimate in smoothness and precision.



COMFORT AND CONTROL.

TO MAXIMISE PRODUCTIVITY STILL FURTHER, JCB SITE DUMPERS ARE DESIGNED AND BUILT TO BE AS COMFY AND AS INTUITIVE AS POSSIBLE, ENSURING THAT OPERATORS CAN STAY FOCUSED ON THE TASK AT HAND.

A good place to work.

JCB site dumpers are designed for ease of operation. That means simple and clear user-friendly automotive-style controls, an uncluttered dashboard and, on hydrostatic transmission models, no gear stick or clutch pedal. The end result is improved access and easier operation, not to mention fast learning curves for all new operators.

You'll find active hydrostatic braking technology a huge advantage if you're working on gradients (only on hydrostatic units).



SAFETY AND SERVICEABILITY.

MINIMISING DOWNTIME PLAYS A LARGE PART IN ACHIEVING CONSISTENT PRODUCTIVITY LEVELS. FOR THAT REASON, THE NEW JCB SITE DUMPERS ARE EASY AND QUICK TO SERVICE, NOT TO MENTION SAFE TO OPERATE. YOUR MACHINE WILL THEREFORE SPEND MORE TIME WHERE IT SHOULD BE: HARD AT WORK ON SITE.

Safety.

1 Swivel tip machines are protected by a heavy-duty swing tip locking device to keep the skip locked in a straight-ahead position when you're on the move.

2 Hoses and hydraulic components are intelligently located so that they get the maximum possible protection from site damage whilst remaining easy to access and service.

Every model from the 6T to the 10T benefits from high performance oil-immersed disc brakes on both axles.

Service.

3 Easy and fast servicing is essential to any rental machine, so the JCB site dumper range features exceptionally easy ground level service access with chassis and engine canopies that provide maximum access to all areas.

All engine panels are mounted on heavy-duty hinges and can be locked with high specification latches for additional security.

The service doors used on this range are so large that service access is best-in-class.



1



2



3

LIVELINK, WORK SMARTER.

JCB LIVELINK IS AN INNOVATIVE SOFTWARE SYSTEM THAT LETS YOU MONITOR AND MANAGE YOUR MACHINES REMOTELY – ONLINE, BY EMAIL OR BY MOBILE PHONE.

Productivity and cost benefits –

Machine location information can improve fleet efficiency and you may even enjoy reduced insurance costs courtesy of the added security that LiveLink brings.

** Note: Please consult your local dealer for LiveLink availability*



Maintenance benefits – Accurate hours monitoring, maintenance history records, critical machine alerts and service alerts improve maintenance planning.

Security benefits – Real-time geofencing lets you set operating zones and curfew alerts that tell you when your machinery outside of pre-determined times. Location information helps you store machines safely.

VALUE ADDED.

JCB'S WORLDWIDE CUSTOMER SUPPORT IS FIRST CLASS. WHATEVER YOU NEED AND WHEREVER YOU ARE, WE'LL BE AVAILABLE QUICKLY AND EFFICIENTLY TO HELP MAKE SURE YOUR MACHINERY IS PERFORMING TO ITS FULL POTENTIAL.



1

1 Our Technical Support Service provides instant access to factory expertise, day or night, while our Finance and Insurance teams are always on hand to provide fast, flexible, competitive quotes.

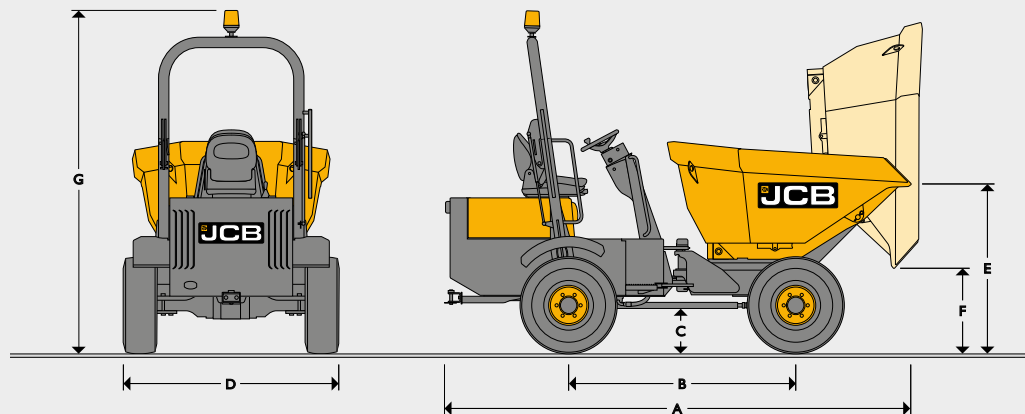
JCB Premiercover offers comprehensive extended warranties and service agreements, as well as service-only or repair and maintenance contracts. Irrespective of what you opt for, our Maintenance teams around the world charge competitive labour rates, and offer non-obligation quotations as well as fast, efficient insurance repair work.



2

2 The global network of JCB Parts Centres is another model of efficiency; with 16 regional bases, we can deliver around 95% of all parts anywhere in the world within 24 hours. Our genuine JCB parts are designed to work in perfect harmony with your machine for optimum performance and productivity.

STATIC DIMENSIONS AND CAPACITIES



		1THT	2TFT	2TST	2THS	3TFT	3TST	3TFT	3TST	3.5TST	6TFT	6TST	9TFT	10TFT
A	Overall length	mm	2980	3570	3550		3725	3952	3725	3952	4405	4539	4489	4530
B	Wheel base	mm	1440	1900		1939	1939	1939	1939	1939	2450	2450	2450	2450
C	Minimum ground clearance	mm	241	184		279		385		410				
D	Width	mm	998* / 1120	1492		1957	1846	1957	1846	1846	2300	2207	2502	2550
E	Height to front lip of skip (untipped)	mm	1167	1323	1360	1522	1371	1467	1371	1467	1672	1732	1709	1760
F	Height to front lip of skip (tipped)	mm	1620 (raised)	916	983	1142 (lowered) / 1640 (raised)	208	762	208	762	504	1258	560	440
	Turning radius to outside of skip	mm	2295	3680	3680	3680	4711	4553	4711	4553	5863	5726	5994	6011
	Steering angle		+/- 45°		+/- 30.6°		+/- 30°		+/- 30°		+/- 30°			
	Oscillation		+/- 14°		+/- 10.5°		+/- 10.5°		+/- 10.5°		+/- 10°			
G	Height to top of ROPS (raised with beacon)	mm	2832	2920		2920		3203		3738				

*When fitted with narrow tyres

CAPACITIES

Payload	kg	1000	2000	2000	2000	3000	3000	3000	3000	3500	6000	6000	9000	10000
Unladen weight	kg	1350	N/A	N/A	2320	2300	2330	2320	2340	2340	4275	4480	4920	N/A
Tipping type		Front tip - High tip	Front tip	Swivel tip	Swivel tip - High tip	Front tip	Swivel tip	Front tip	Swivel tip	Swivel tip	Front tip	Swivel tip	Front tip	Front tip
Skip capacity (water)	litres	320	750	750	750	1250	1000	1250	1000	1000	1950	1850	2064	2446
Skip capacity (struck)	litres	450	1000	1000	1000	1600	1520	1600	1520	1520	2750	2740	3899	4128
Skip capacity (heaped)	litres	540	1200	1200	1200	1950	1880	1950	1880	1880	3780	3530	4587	5046

*When fitted with narrow tyres

ENGINE

Type		1THT	2TFT	2TST	2THS	3TFT	3TST	3TFT	3TST	3.5TST	6TFT	6TST	9TFT	10TFT
Engine model		Kubota D905	Kubota D1703M					Kubota V2203M			JCB EcoMAX		JCB EcoMAX	
Capacity	cc	898	1647					2197			4400		4400	
Aspiration		Naturally Aspirated	Naturally Aspirated					Naturally Aspirated			Turbocharged		Turbocharged	
Cylinders		3	3					4			4		4	
Max gross power to SAE J1995/ISO 14396	kW (hp)	15.5 (20.8)	24.5 (32.6)					32.4 (43.5)			55 (74)		55 (74)	
Max torque	Nm	56	105					147			400		400	
Emissions compliance		EU Stage 3A	EU Stage 3A					EU Stage 3A			EU Stage 3B / Tier 4 Final		EU Stage 3B / Tier 4 Final	

TRANSMISSION													
	1THT	2TFT	2TST	2THS	3TFT	3TST	3TFT	3TST	3.5TST	6TFT	6TST	9TFT	10TFT
Type (standard)	Hydrostatic pump to 4 hydraulic wheel motors	Hydrostatic motor via transfer box to front and rear axles			Manual gearbox via transfer box to front and rear axles		Hydrostatic motor via transfer box to front and rear axles			Powershuttle		Powershuttle	Powershift
Type (option)	-	-			-		-			-		Powershift	-
Tyre size	255 / 75 x 15.2 x 8 ply (option 7.0 x 12 narrow tyre)	10.0 / 75 x 15.3 (10 ply)			295 / 80 x 15.3 (10 ply)		295 / 80 x 15.3 (10 ply)			405-70-20 14PR		500-60-22.5 16PR	
Drive	Hydrostatic 1/1	2 / 2 (High and low range – forward and reverse) Hydrostatic – permanent 4WD			Manual – 3 Forward / 1 Reverse		2 / 2 (High and low range – forward and reverse) Hydrostatic – permanent 4WD			4 / 4 Forward and reverse – permanent 4WD			
Max travel speed (unladen) mph (kph)	7 (11)	10 (16)			11.8 (19)		11.8 (19)			16.3 (26.2)		14.66 (23.59)	
Gradeability (maximum slope gradient)	20% (1 in 5)	19.5% (1 in 5)			25% (1 in 4)					20% (1 in 5)			

ELECTRICAL SYSTEM													
	1THT	2TFT	2TST	2THS	3TFT	3TST	3TFT	3TST	3.5TST	6TFT	6TST	9TFT	10TFT
System voltage Volt							12V						
Alternator output Amp hour	30A				55A						95A		
Battery capacity Amp hour					74Ah						100Ah		

SERVICE FILL CAPACITIES													
	1THT	2TFT	2TST	2THS	3TFT	3TST	3TFT	3TST	3.5TST	6TFT	6TST	9TFT	10TFT
Hydraulic tank litres	25		25		37			37		50		50	
Fuel tank litres	35		23		37			37		65		65	

HYDRAULICS													
	1THT	2TFT	2TST	2THS	3TFT	3TST	3TFT	3TST	3.5TST	6TFT	6TST	9TFT	10TFT
Pump 1 max. flow l/min	29		21				30			61.2		61.2	
Pump 1 max. pressure bar	152		210		172	210	172	210		172		210	
Steering system	Orbitrol hydrostatic steering unit powering central hydraulic steering ram												

STEERING														
	1THT	2TFT	2TST	2THS	3TFT	3TST	3TFT	3TST	3.5TST	6TFT	6TST	9TFT	10TFT	
Working brake	Hydrostatic dynamic braking on rear wheel motors			Multi-plate in-board oil immersed discs on front axle							Foot brake-oil immersed discs on front/rear			
Parking brake	Hydrostatic dynamic braking on rear wheel motors			Over centre handbrake-oil immersed discs on front axle							Over centre parking brake-dry disc on gearbox			

ENVIRONMENTAL													
	1THT	2TFT	2TST	2THS	3TFT	3TST	3TFT	3TST	3.5TST	6TFT	6TST	9TFT	10TFT
Noise emission (to ISO 4871) - Sound pressure (LpAd)	83db		86.1db				84db			81db		81db	
Sound power level (LWAd)	101db		101db				101db			101db		101db	
Noise compliance	Noise - equipment used outdoors directive 2000/14/EC												
Vibration – hand arm (as defined in EN474-1 all operations)	<2.5m/s²												
Vibration – whole body (as defined in ISO/TR 25398-Work Cycle)	0.529rms (0.264m/s² Uncertainty)												

STANDARD EQUIPMENT	OPTIONAL EQUIPMENT
Folding ROPS frame, reversing alarm, flashing beacon, hour meter, seat belt (high visibility orange), seat (adjustable fore/aft, operator weight and back angle), heavy-duty articulation lock, towing/recovery (bracket) (1T N/A), leg guard (optional on 1T, 6T, 9T and 10T), CESAR Datatag security (optional on 1T), wide tyres (255/75 x 15.2 8ply) (standard on 1T only), narrow tyres (7.00x12) (optional on 1T), water in fuel monitoring (on 6T, 9T and 10T).	High visibility safety decals for steps and handrails, rear view mirror, road lights (RTA) including light guards, spare wheel, special paint, fan guard (1T N/A).



ONE COMPANY, OVER 300 MACHINES.

Your nearest JCB dealer

Site Dumpers

1THT/2TFT/2ST/2THS/3TFT/3TST/3.5TST/6TFT/6TST/9TFT/10TFT
 Gross engine power: 15.5kW – 55kW Payload: 1,000 – 10,000kg

JCB Sales Limited, Rokester, Staffordshire, United Kingdom ST14 5JP.
 Tel: +44 (0)1889 590312 Email: salesinfo@jcb.com
 Download the very latest information on this product range at: www.jcb.com

©2009 JCB Sales. All rights reserved. No part of this publication may be reproduced, stored in a retrieval system, or transmitted in any form or by any other means, electronic, mechanical, photocopying or otherwise, without prior permission from JCB Sales. All references in this publication to operating weights, sizes, capacities and other performance measurements are provided for guidance only and may vary dependant upon the exact specification of machine. They should not therefore be relied upon in relation to suitability for a particular application. Guidance and advice should always be sought from your JCB Dealer. JCB reserves the right to change specifications without notice. Illustrations and specifications shown may include optional equipment and accessories. The JCB logo is a registered trademark of J C Bamford Excavators Ltd.

9999/5944 en-GB 01/16 Issue 1

