

PALFINGER

P 160 A LOW SMART

**YOUR NEW TOOL
FOR JOBS IN CHAOTIC
SITUATIONS IN TOWNS
AND CITIES**

LIFETIME EXCELLENCE



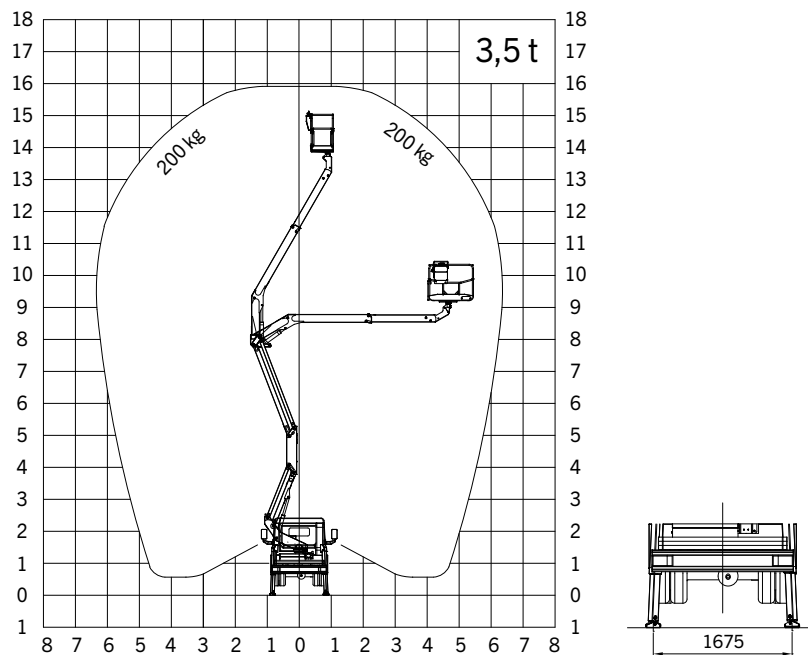
TECHNICAL SPECIFICATIONS

Maximum working height	16 m
Maximum cage floor	14 m
Maximum lateral outreach	6.3 m *
Angle of main boom	-30° + 60°
Turntable rotation	260°
Basket capacity	200 kg
Basket dimensions	1.4 x 0.7 x 1.1 m
Height in transport conditions	2.65 m
Width in transport conditions	1.82 m
Length in transport conditions	4.62 m
Can be driven with a class B license	

OPTIONAL

Fiberglass basket
Electric pump for internal use
Adjustable 60 W headlamp on the basket
Title alarm with audio signal
Insulation 1000 V
Basket rotation
Aluminium side panels
Paint upon request by the client, aerial part

WORKING DIAGRAMS *



* With basket rotation (opt)

DIMENSIONS



SALES DEALER

Units shown in the leaflet are partially optional equipped and do not always correspond to the standard version. Country-specific regulations must be observed. Dimensions may vary. Subject to technical changes, errors and translation mistakes.